



TOYOTA

ALWAYS A
BETTER WAY

Hilux

Hood deflector

Installation instructions

Model year: As from 2020/05

Vehicle code: GUN125*-****XW*
GUN135*-****XW*
GUN126*-****XW

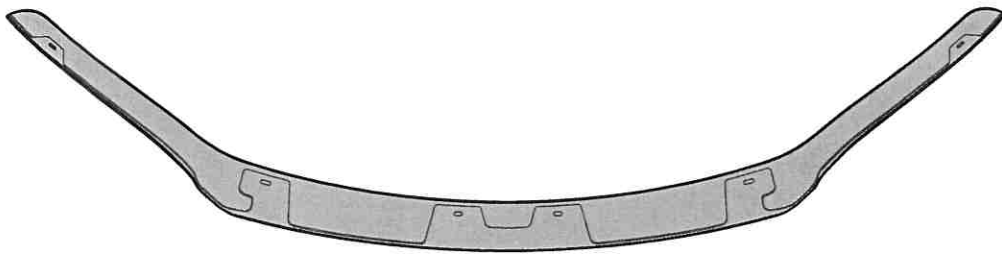
Part number: PZQ15-89350

Manual reference number: AIM 005 042-0

Revision Record

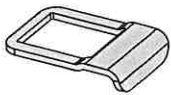
Rev. No.	Date	Page	Step	Remarks

PZQ15-89350



A 1x

PZQ15-4213A



B 4x



C 2x



D 4x



E 4x



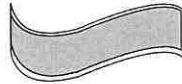
F 4x



G 4x



H 2x



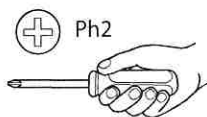
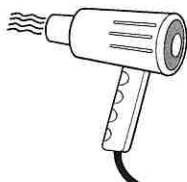
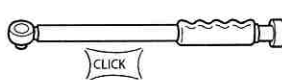
J 2x

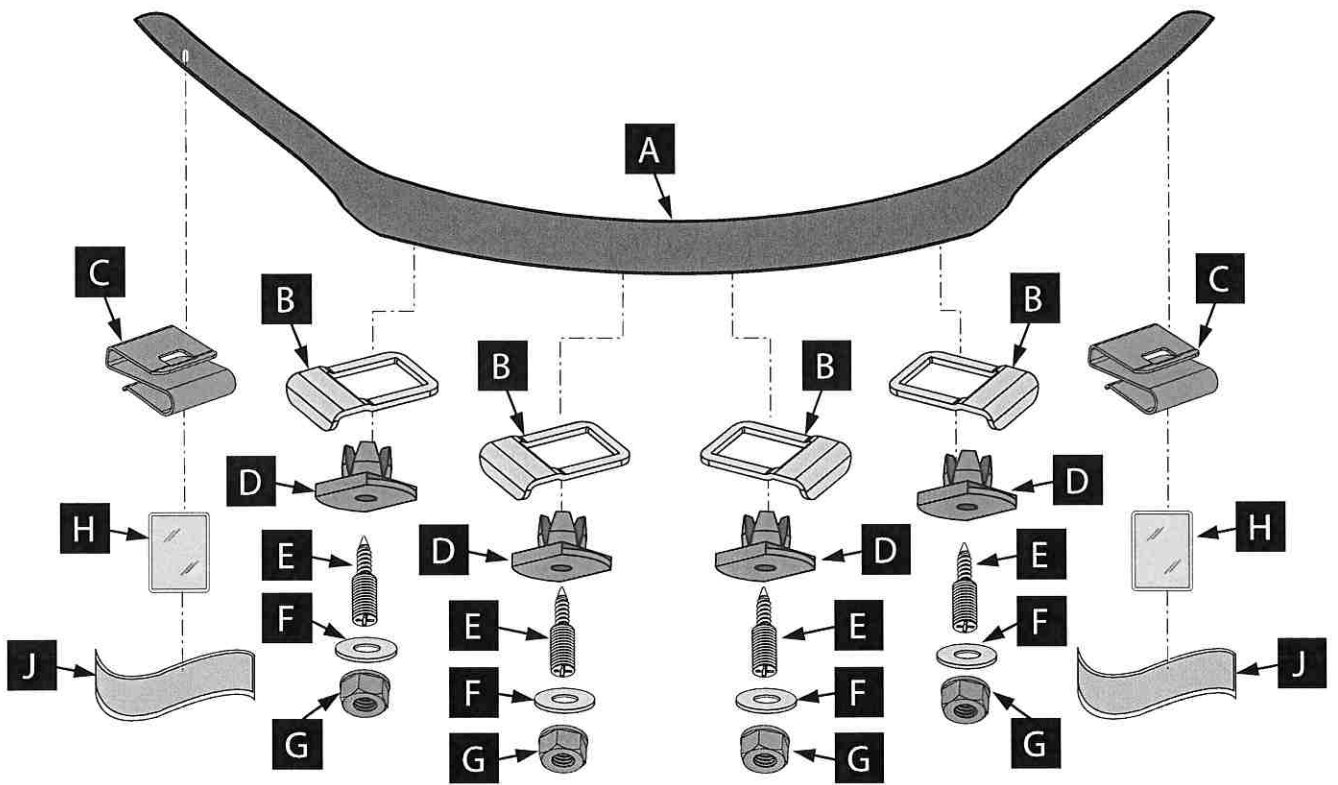


K 1x

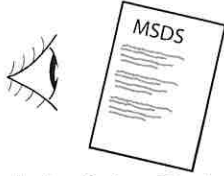


AIM 003-516-*

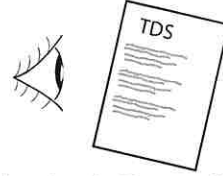




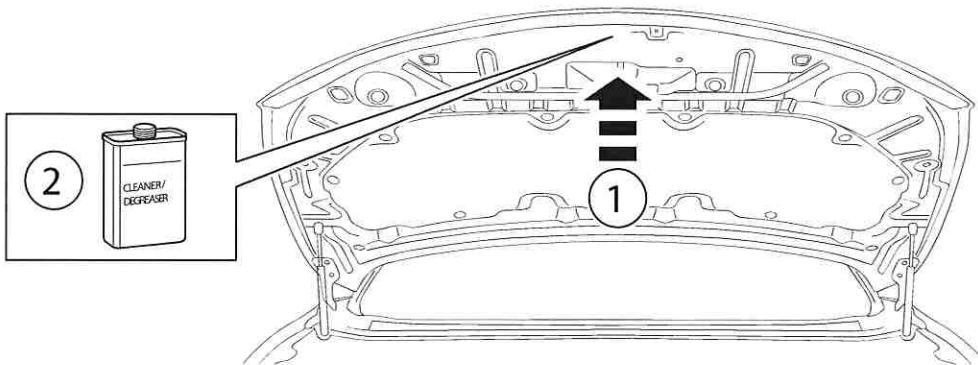
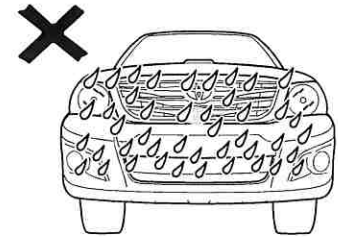
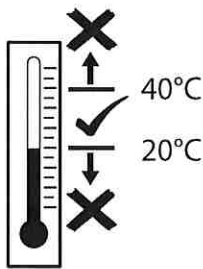
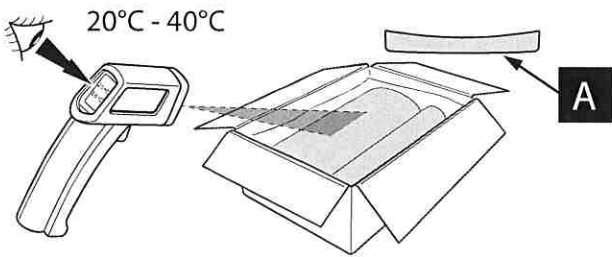
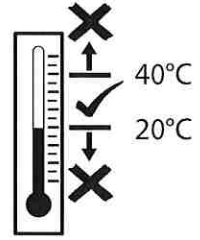
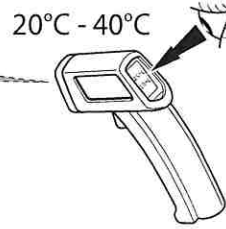
INFO



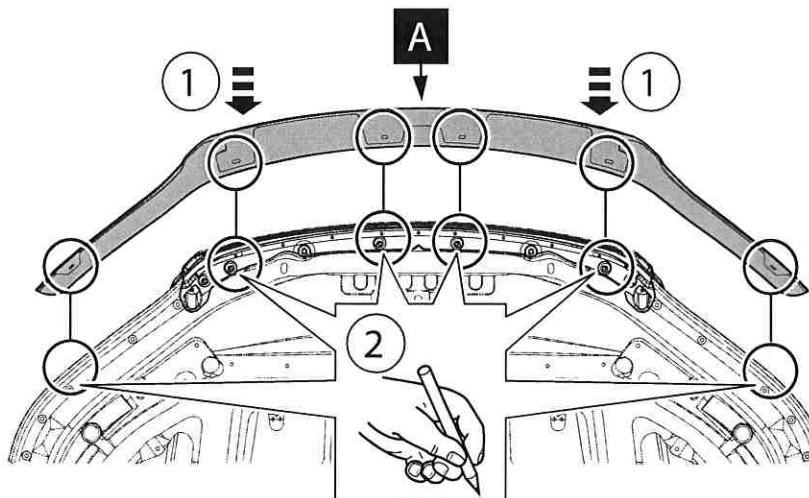
Material Safety Data Sheet



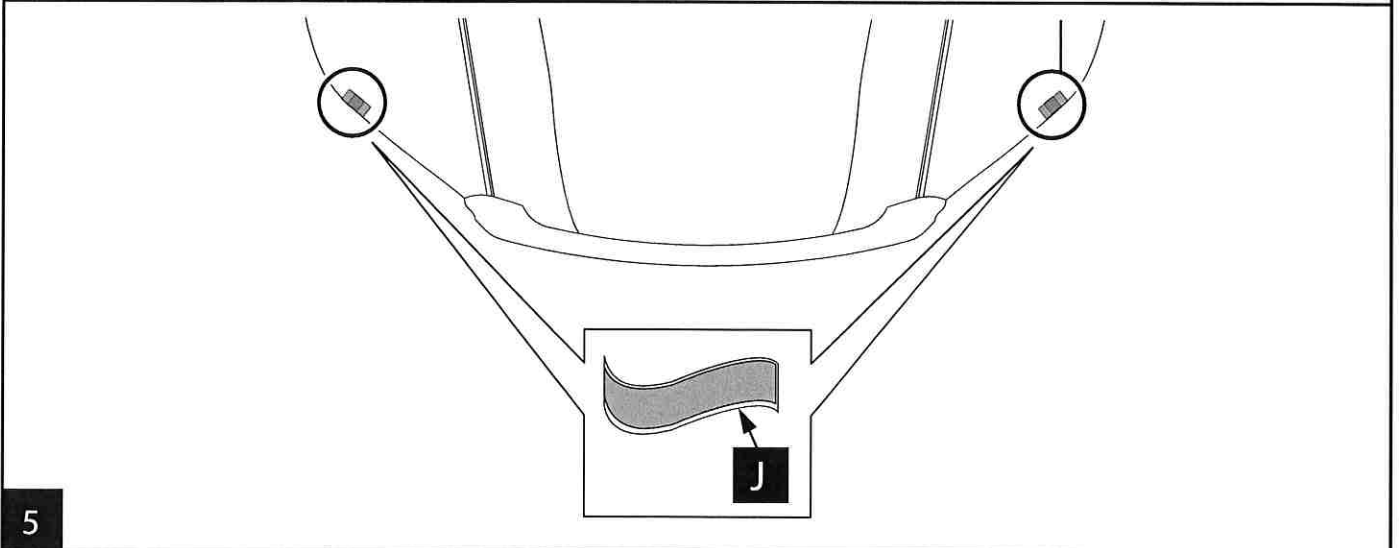
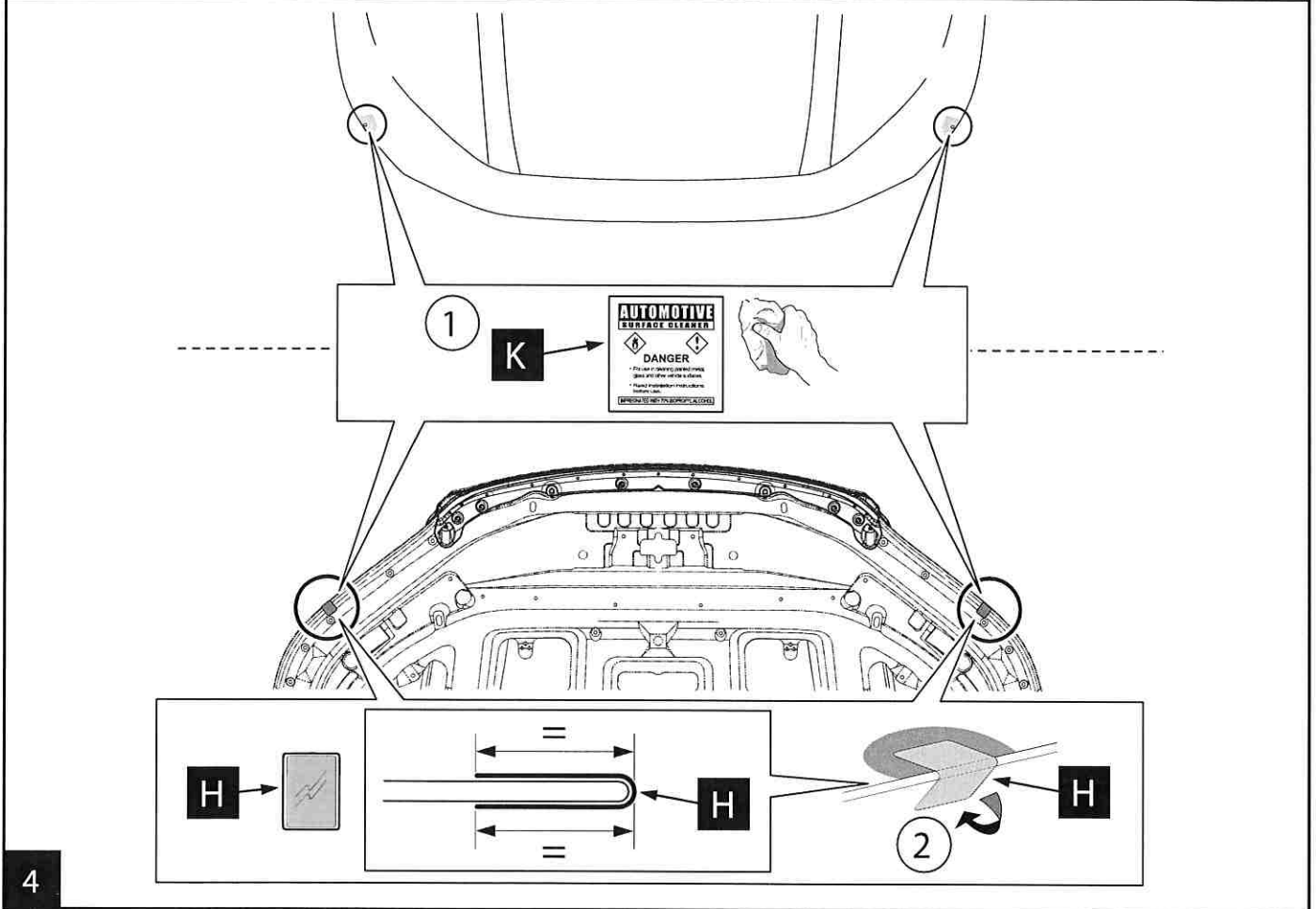
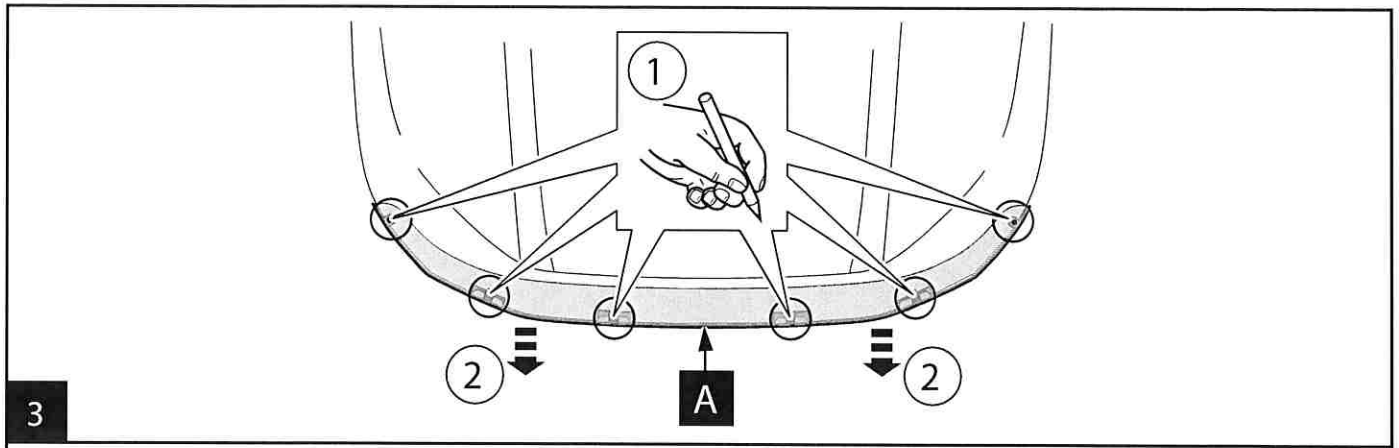
Technical Data Sheet

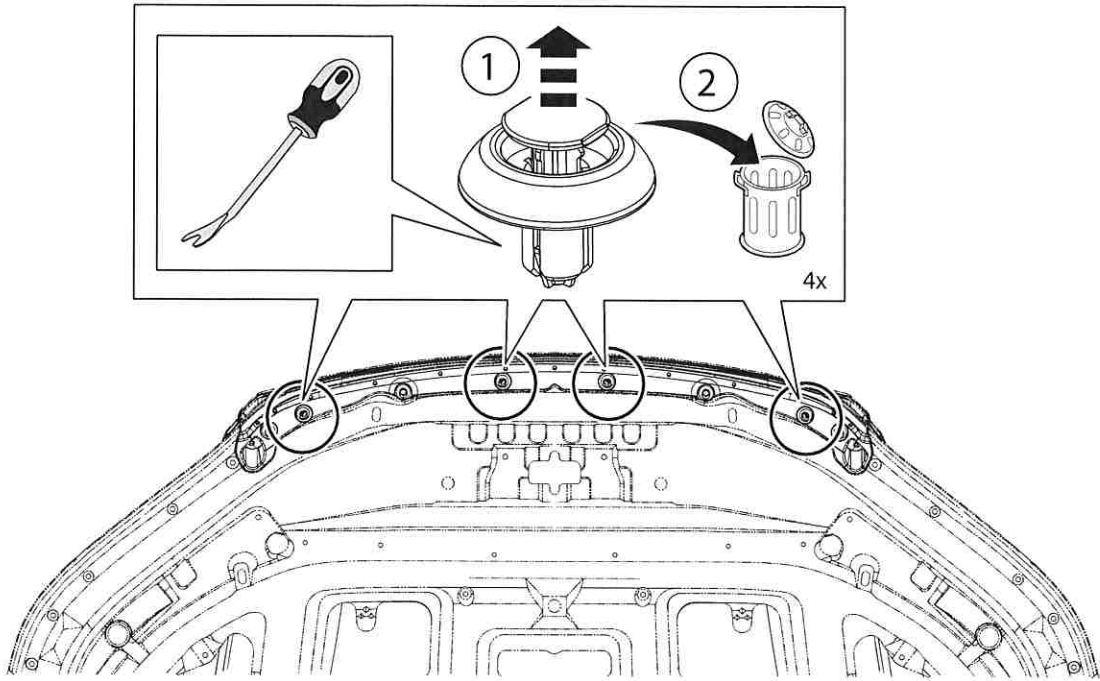


1

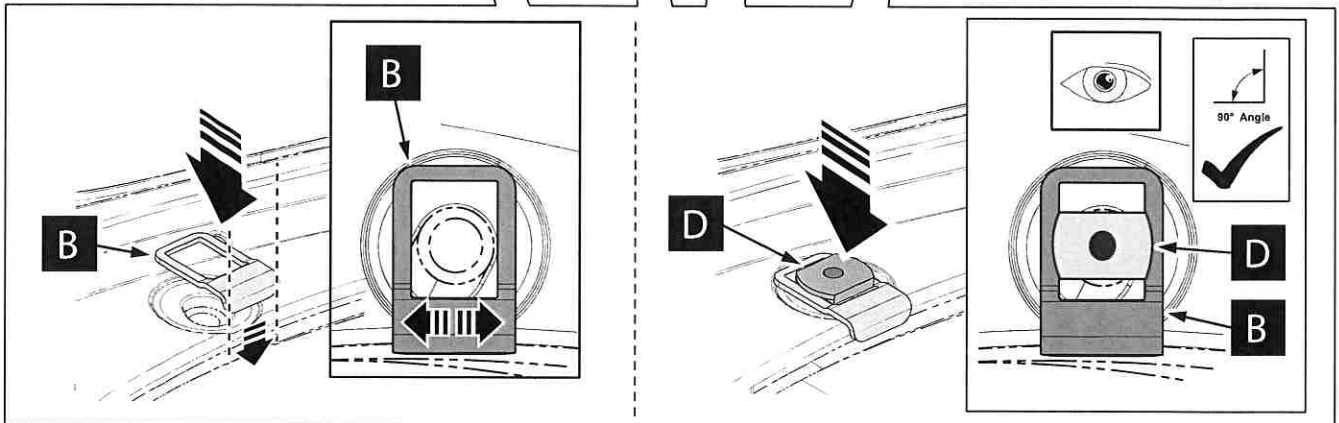
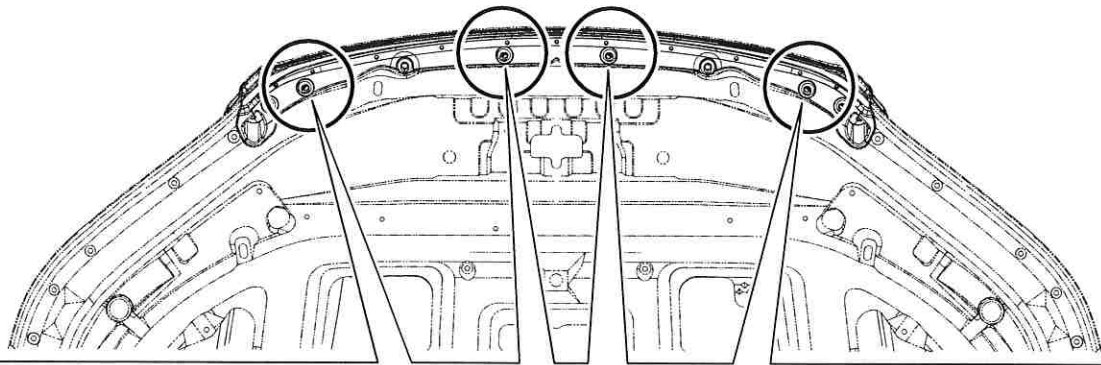


2

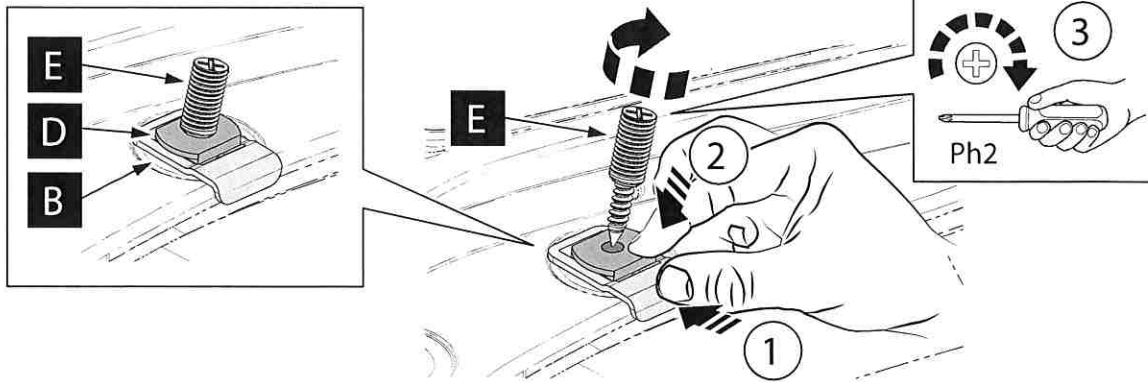




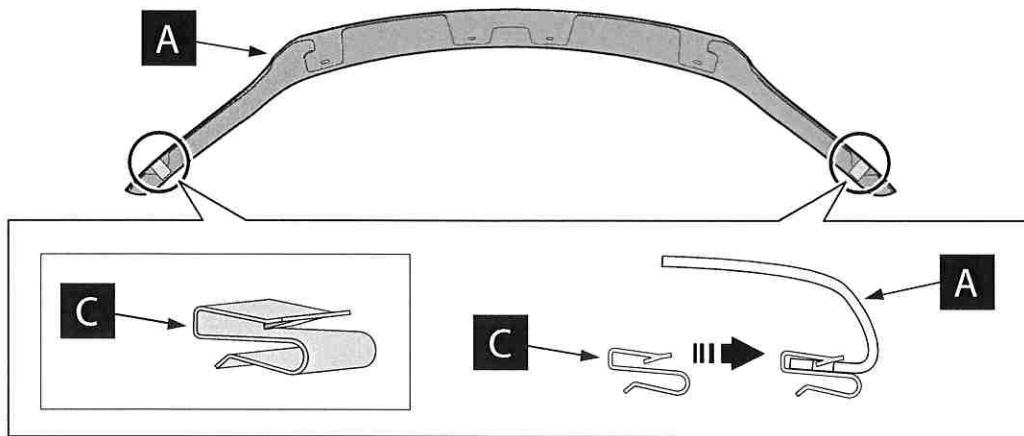
6



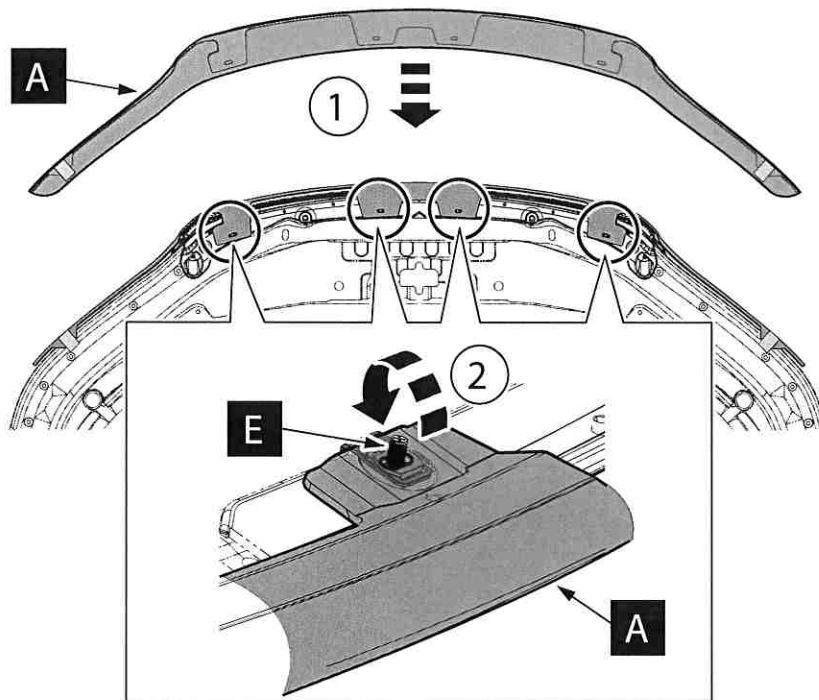
7



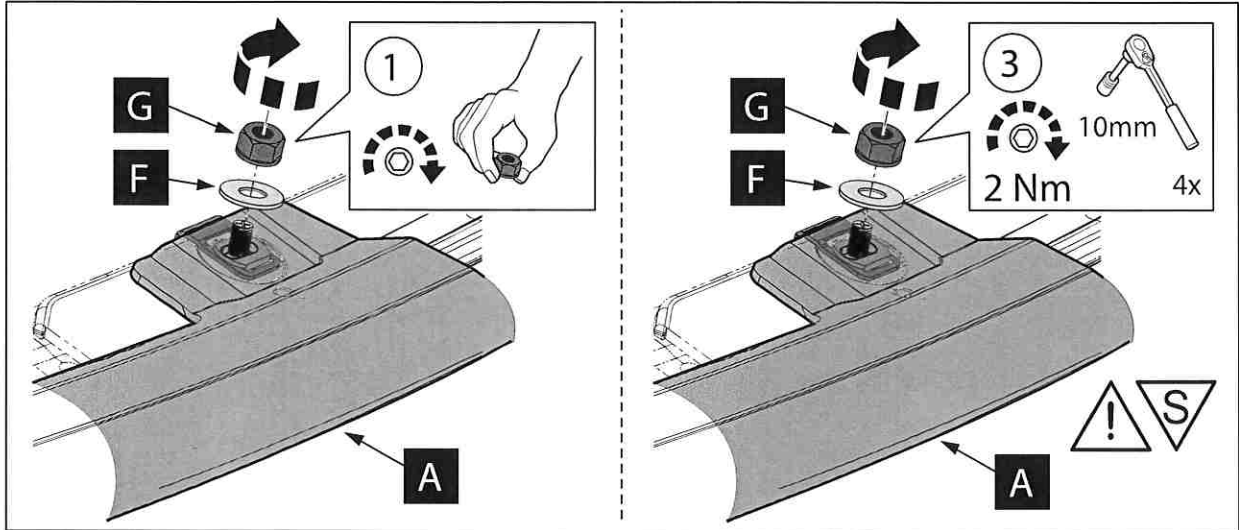
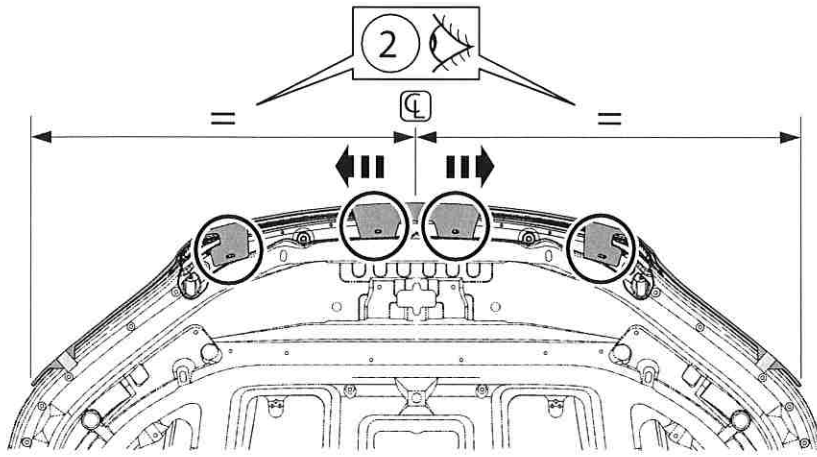
8



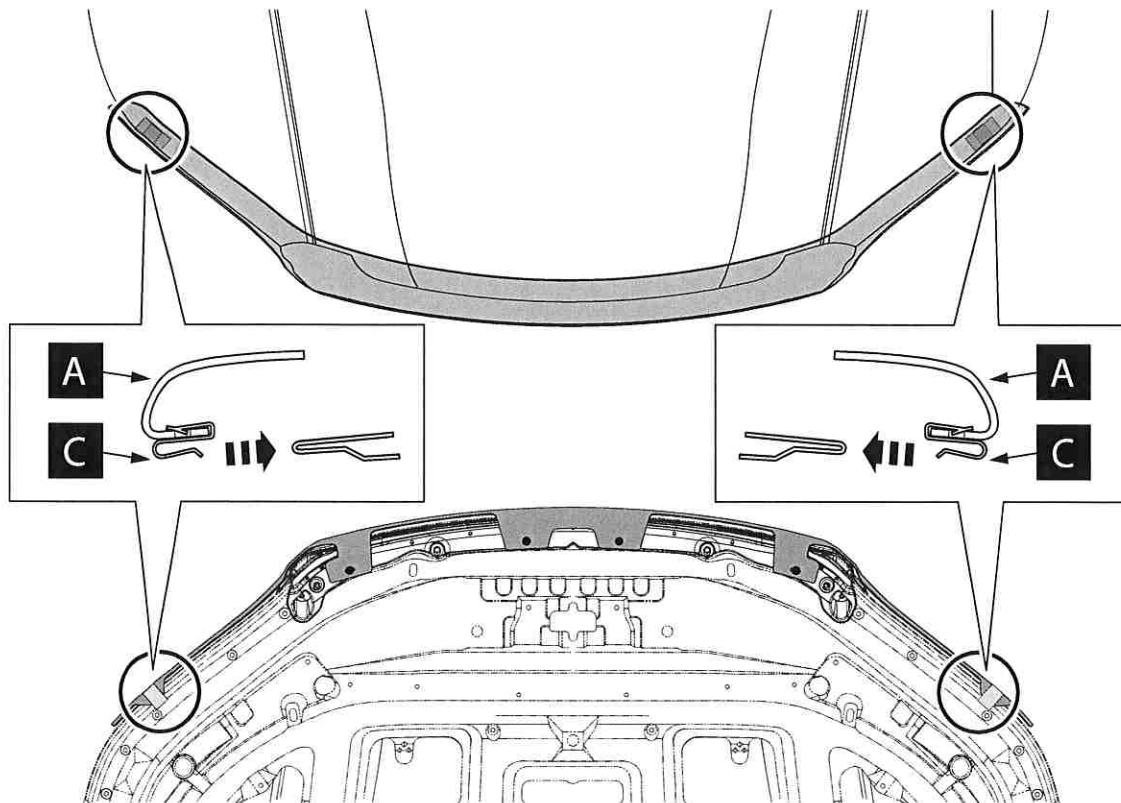
9



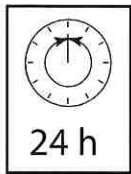
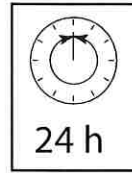
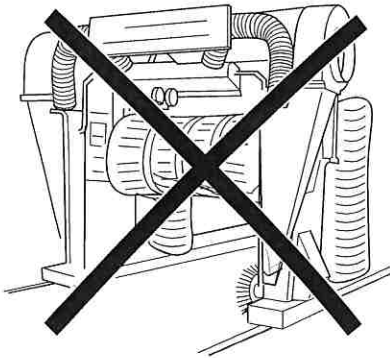
10



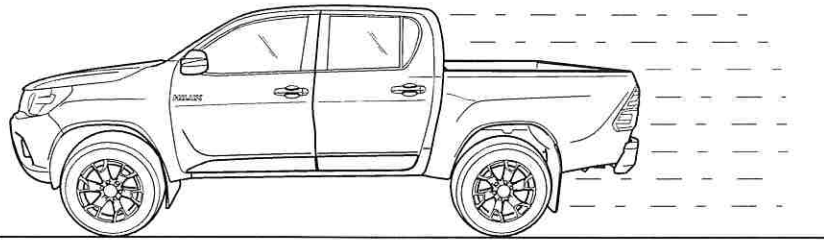
11



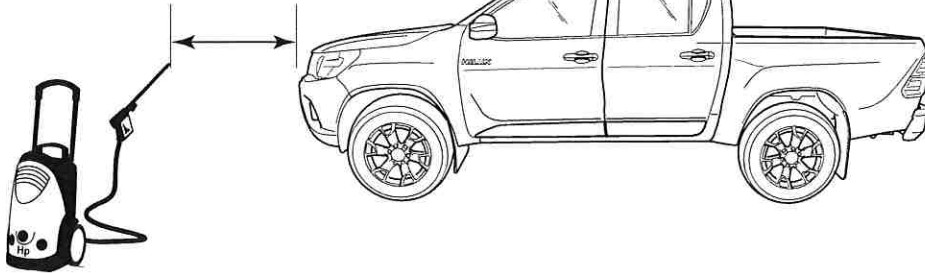
12



Max. 90 km/h



> 0,5 meter



CHECK SHEET Page 1 of 1



TOYOTA

Model / Year

Hilux

Hood Deflector

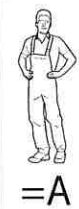
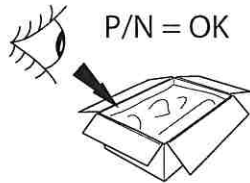
As from 2020/05

ALWAYS A
BETTER WAY

VIN n°

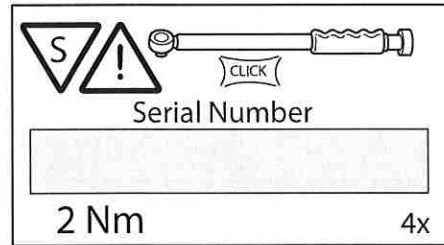
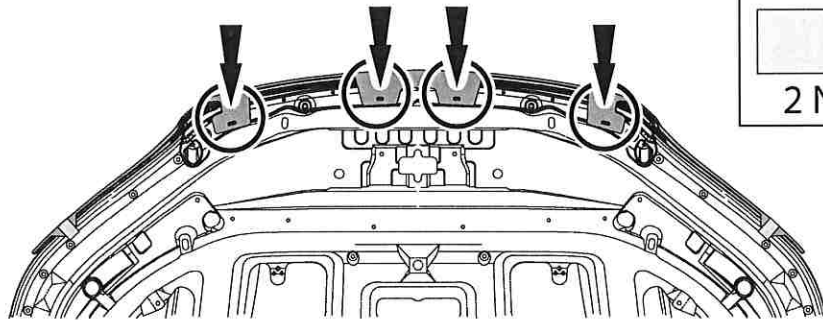
DURING INSTALLATION

1



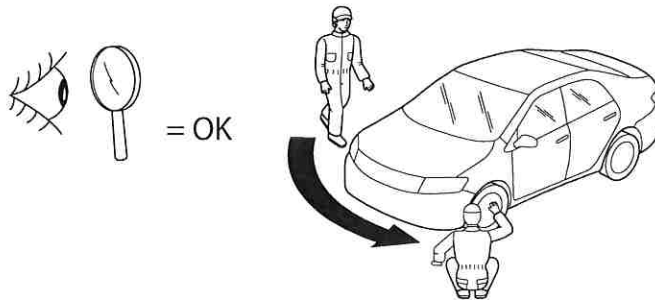
AFTER INSTALLATION

1



A B

2



Installation Date:

... / ... / ...

Technician Name & Signature:

Stamp: